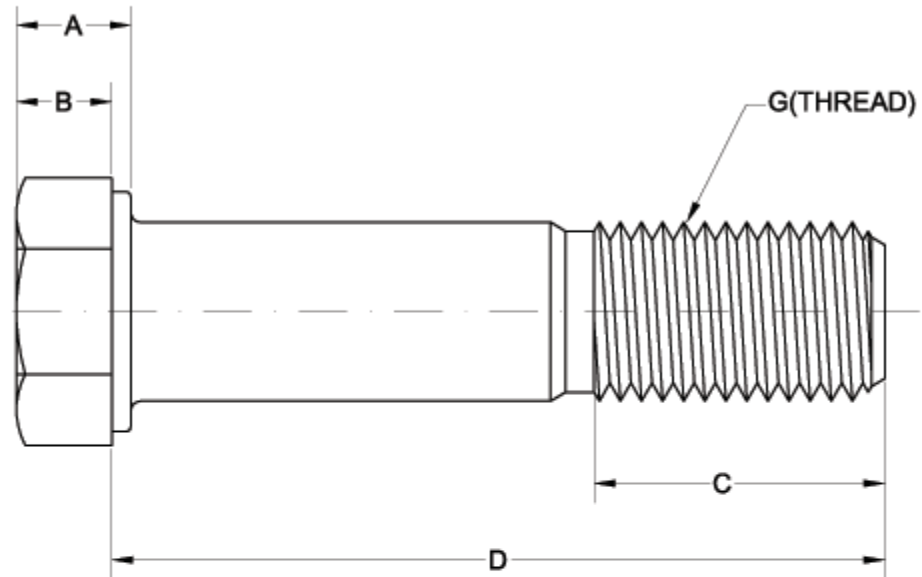


HEAD MARKINGS RAISED LETTERS
(DEPEND ON BOLT GRADE/CLASS)



A	B	C	D	E	F	G

CUSTOMER APPROVAL AS ROLLED PART DRAWING WILL BE USED FOR FINAL INSPECTION	REVISION DRAWN	DATE	CHANGE OR ADDITION			
	APPD	WESTLAND FASTENERS Ltd. P.O. BOX 1052 WINNIPEG, MANITOBA R3C 2X4 PHONE: (204) 224 - 1654 FAX: (204) 224 - 5337				
	UNITS IMPERIAL	NAME HEX HEAD BOLT				
	TOLERANCES UNLESS OTHERWISE SPECIFIED .XX ±.010 .XXX ±.005 ANGL. ± 1	MATERIAL	DWG No.	REV.	FINISH	SHEET
THIS DRAWING IS THE PROPERTY OF WESTLAND FASTENERS LTD AND MAY NOT BE USED IN WHOLE OR IN PART WITHOUT AUTHORIZATION	SCALE DO NOT SCALE	DATE	SHEET			